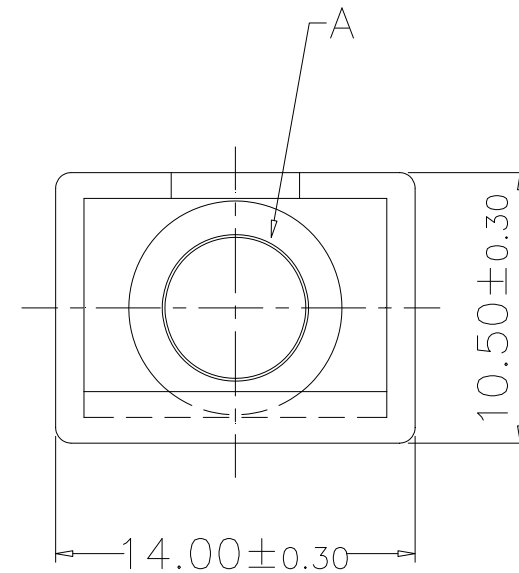
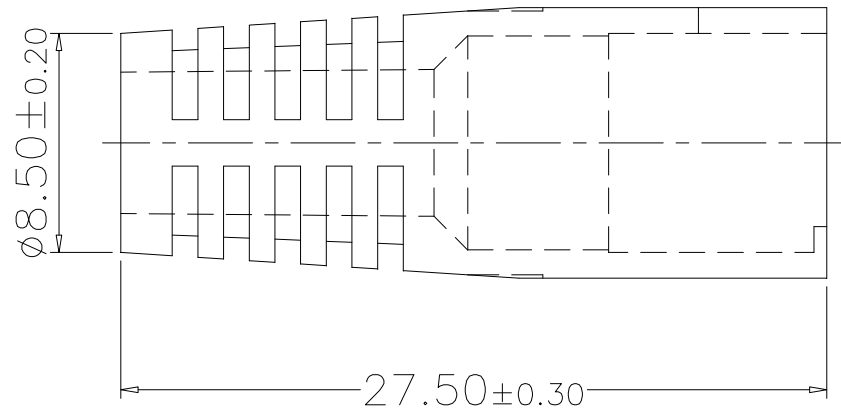


A Dim m/m
5.5±0.10
6.0±0.10
6.5±0.10
7.0±0.10



UNIT: m/m

材質 Material :

1. 塑膠材質 Material : PVC

<b>COBLE ENTERPRISE CO., LTD.</b>			
TITLE	SR0811-*. * PVC COVER		
APPROVE	PETER KUO	DESIGN	C.M.CHEN
DATE	06-25-2009	F. No.	SR0811